

# GATE VALVE SERIES

# 01

Valve Manufacturing In Action



# HIGH PRESSURE FLANGE GATE VALVE

## Structural advantages and characteristics

- 1、 Meets the domestic and foreign advanced standard requirement, the seal is reliable, the performance is fine, handsome appearance.
- 2、 The damper plate, the valve seat packing surface is too vertical (stellite) with the iron-base alloy built-up welding or the department the cobalt base hard alloy built-up welding to become, wear-resisting, thermostable, anti-corrosive, the anti-abrasion performance is good, the service life is long.
- 3、 Using wedge-type flexible gate structure, medium and large caliber set bearings, switches flexible, open and close easily.
- 4、 Stem quenched and the nitrogen treatment, with good corrosion resistance, scratch resistance and wear resistance.
- 5、 Can be used with a variety of standard pipe flanges and flange sealing surface types to meet various project needs and user requirements.
- 6、 Valve body materials, variety, packing, gasket can be based on actual working conditions or the user requests a reasonable option, can be applied to all kinds of pressure, temperature and medium conditions.

## Standards and norms

Design and Manufacture	Structure Length	Pressure-temperature rating	Connection flange	Test and Inspection
GB 12234	GB 12221	GB/T 12224	JB/T 79.1-2-94 GB 9113-2009 HG 20592 ~ 20635	JB/T 9092-1999 GB 13927-2005

## Performance parameter

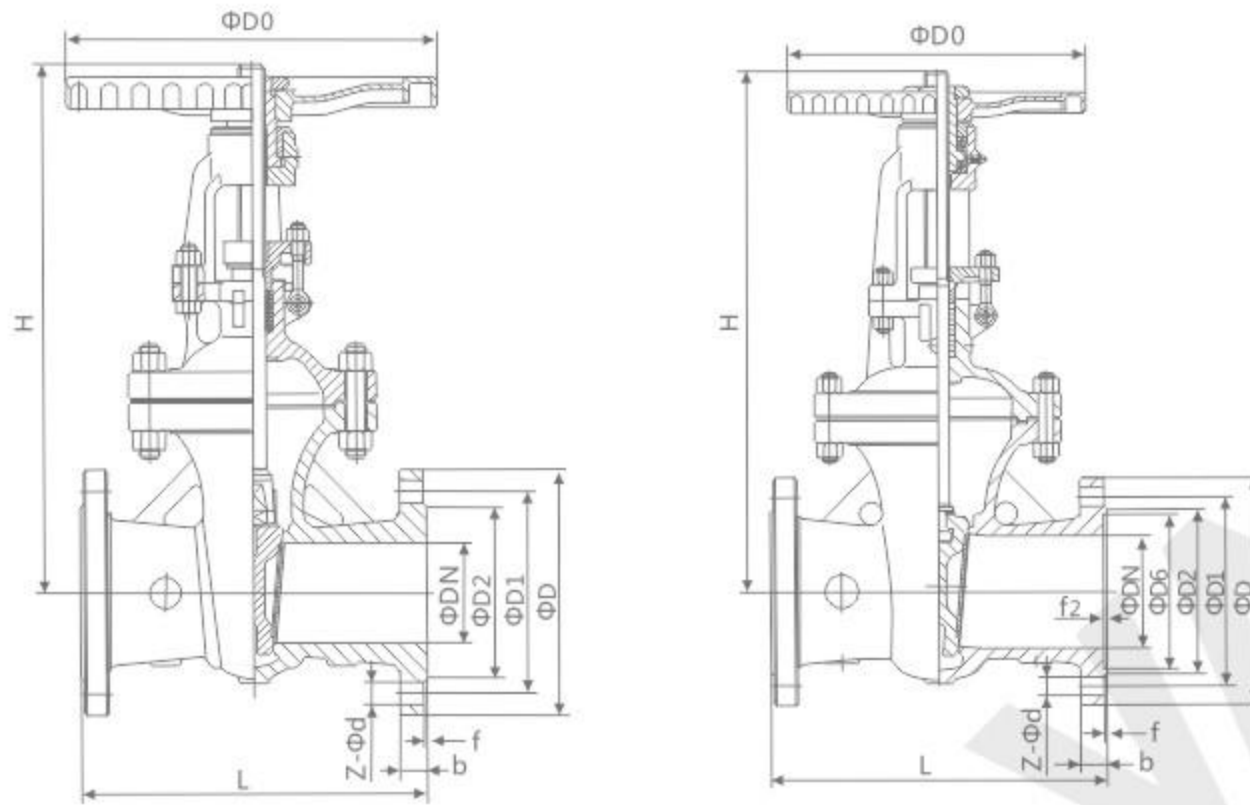
No.	Project Name	Project Name					
		PN16	PN25	PN40	PN64	PN100	PN160
1	PN(MPa)	1.6	2.5	4.0	6.4	10	16
2	Shell strength test pressure(MPa)	1.5 Times the nominal pressure at room temperature					
3	High-pressure sealing Test pressure(MPa)	1.1 Times the nominal pressure at room temperature					
4	Operating pressure at room temperature(MPa)	According to GB/T 12224 pressure temperature rating					

## Main components material

Name	Material								
Body/Bonnet	CF8	CF3	CF8M	CF3M	WCB	LCB	WC6	WC9	C5
Wedge	CF8	CF3	CF8M	CF3M	WCB	LCB	WC6	WC9	C5
Stem	F304	F304L	F316	F316L	2CR13	F304	F304	F304	F304
Stem Nut	Aluminium Bronze								
Packing	PTFE/Flexible graphite				Graphite				
Gasket	PTFE/Metal wound gasket				Graphite				
Gland	CF8	CF3	CF8M	CF3M	WCB	LCB	WC6	WC9	C5
Bolt	Stainless Steel				35CrMoA				
Nut	Stainless Steel				45、 35CrMoA				
Handwheel	Cast Steel								

# MEDIUM PRESSURE FLANGE TO MANUAL GATE VALVE

Z41H-10  
16  
25  
40  
63  
C, I, P, R



JB/T82.1-1994  
JB/T79.1-1994

Main external and connection dimension

Nominal pressure PN(MPa)	Nominal diameter DN(mm)	Size(mm)								Weight ( kg )
		L	D	D1	D2	b-f	Z-Φd	H	D0	
1.0	15	130	95	65	45	12-2	4-Φ14	160	100	5
	20	150	105	75	55	14-2	4-Φ14	165	100	8
	25	160	115	85	65	14-2	4-Φ14	200	125	11
	32	180	135	100	78	16-2	4-Φ18	240	125	13
	40	165	145	110	85	16-3	4-Φ18	245	135	9.5
	50	180	160	125	100	16-3	4-Φ18	286	180	24
	65	195	180	145	120	18-3	4-Φ18	320	180	31
	80	210	195	160	135	18-3	4-Φ18	373	200	40
	100	230	215	180	155	20-3	8-Φ18	428	200	55
	125	255	245	210	185	22-3	8-Φ18	513	240	63
	150	280	280	240	210	22-3	8-Φ23	582	240	90
	200	330	335	295	265	22-3	8-Φ23	730	320	145
	250	380	390	350	320	24-3	12-Φ23	897	320	230
	300	420	440	400	368	26-4	12-Φ23	1032	400	330
	350	450	500	460	428	26-4	16-Φ23	1170	400	460
	400	480	565	515	482	26-4	16-Φ25	1330	500	500
	450	510	615	565	532	26-4	20-Φ25	1460	500	680
	500	540	670	620	585	28-4	20-Φ25	1650	500	960
600	600	780	725	685	28-5	20-Φ30	183	600	1200	
700	660	895	840	800	30-5	24-Φ30	2120	700	1620	
800	730	1010	950	905	32-5	24-Φ34	2420	800	2090	
900	800	1110	1050	1005	34-5	28-Φ34	2750	850	3100	
1000	850	1220	1160	1115	34-5	28-Φ34	3130	900	4050	
1.6	15	130	95	65	45	14-2	4-Φ14	170	120	5
	20	150	105	75	55	14-2	4-Φ14	190	140	6.5
	25	160	115	85	65	14-2	4-Φ14	205	160	9
	32	180	135	100	78	16-2	4-Φ18	270	180	12
	40	200	145	110	85	16-3	4-Φ18	290	200	26.5
	50	250	160	125	100	16-3	4-Φ18	310	240	29
	65	265	180	145	120	18-3	4-Φ18	373	240	33
	80	280	195	160	135	20-3	8-Φ18	435	280	45
	100	300	215	180	155	20-3	8-Φ18	445	300	63
	125	325	245	210	185	22-3	8-Φ18	570	320	108
	150	350	280	240	210	24-3	8-Φ23	630	360	134
	200	400	335	295	265	26-3	12-Φ23	735	400	192
	250	450	405	355	320	30-3	12-Φ25	969	450	273
	300	500	460	410	375	30-4	12-Φ25	976	580	379
	350	550	520	470	435	34-4	16-Φ25	1120	640	500
	400	600	580	525	485	36-4	16-Φ30	1452	640	540
	450	650	640	585	545	40-4	20-Φ30	1541	720	870
	500	700	705	650	608	44-4	20-Φ34	1880	720	1100
600	800	840	770	718	48-5	20-Φ36	1874	800	1570	
700	900	910	840	788	50-5	24-Φ41	2083	800	1870	
800	1000	1020	950	898	52-5	24-Φ41	2400	850	2500	
900	1100	1120	1050	998	54-5	28-Φ41	2950	1000	3620	
1000	1200	1255	1170	1110	56-5	28-Φ48	3245	1000	4550	

# MEDIUM PRESSURE FLANGE TO MANUAL GATE VALVE

Main external and connection dimension

JB/T79.1-1994

Nominal pressure PN(MPa)	Nominal diameter DN(mm)	Size(mm)								Weight ( kg )
		L	D	D1	D2	b-f	Z-Φd	H	D0	
2.5	15	130	95	65	45	16-2	4-Φ14	170	120	5.5
	20	150	105	75	55	16-2	4-Φ14	190	140	7
	25	160	115	85	65	16-2	4-Φ14	205	160	11
	32	180	135	100	78	18-2	4-Φ18	270	180	14
	40	200	145	110	85	18-3	4-Φ18	310	200	20
	50	250	160	125	100	20-3	4-Φ18	358	240	34
	65	265	180	145	120	22-3	8-Φ18	373	240	36
	80	280	195	160	135	22-3	8-Φ18	435	280	50
	100	300	230	190	160	24-3	8-Φ23	500	300	69
	125	325	270	220	188	28-3	8-Φ25	614	320	116
	150	350	300	250	218	30-3	8-Φ25	674	360	141
	200	400	360	310	278	34-3	12-Φ25	811	400	192
	250	450	425	370	332	36-3	12-Φ30	969	450	207
	300	500	485	430	390	40-4	16-Φ30	1145	580	350
	350	550	550	490	448	44-4	16-Φ34	1280	640	560
	400	600	610	550	505	48-4	16-Φ34	1452	640	650
	450	650	660	600	555	50-4	20-Φ34	1541	720	910
	500	700	730	660	610	52-4	20-Φ41	1676	720	1166
600	800	840	770	718	56-5	20-Φ41	1874	800	1650	
700	900	955	875	815	60-5	24-Φ48	2083	800	1980	
800	1000	1070	990	930	64-5	24-Φ48	2400	950	2740	
900	1100	1180	1090	1025	66-5	28-Φ54	2950	1000	3900	
1000	1200	1305	1210	1140	68-5	28-Φ58	3245	1000	4850	

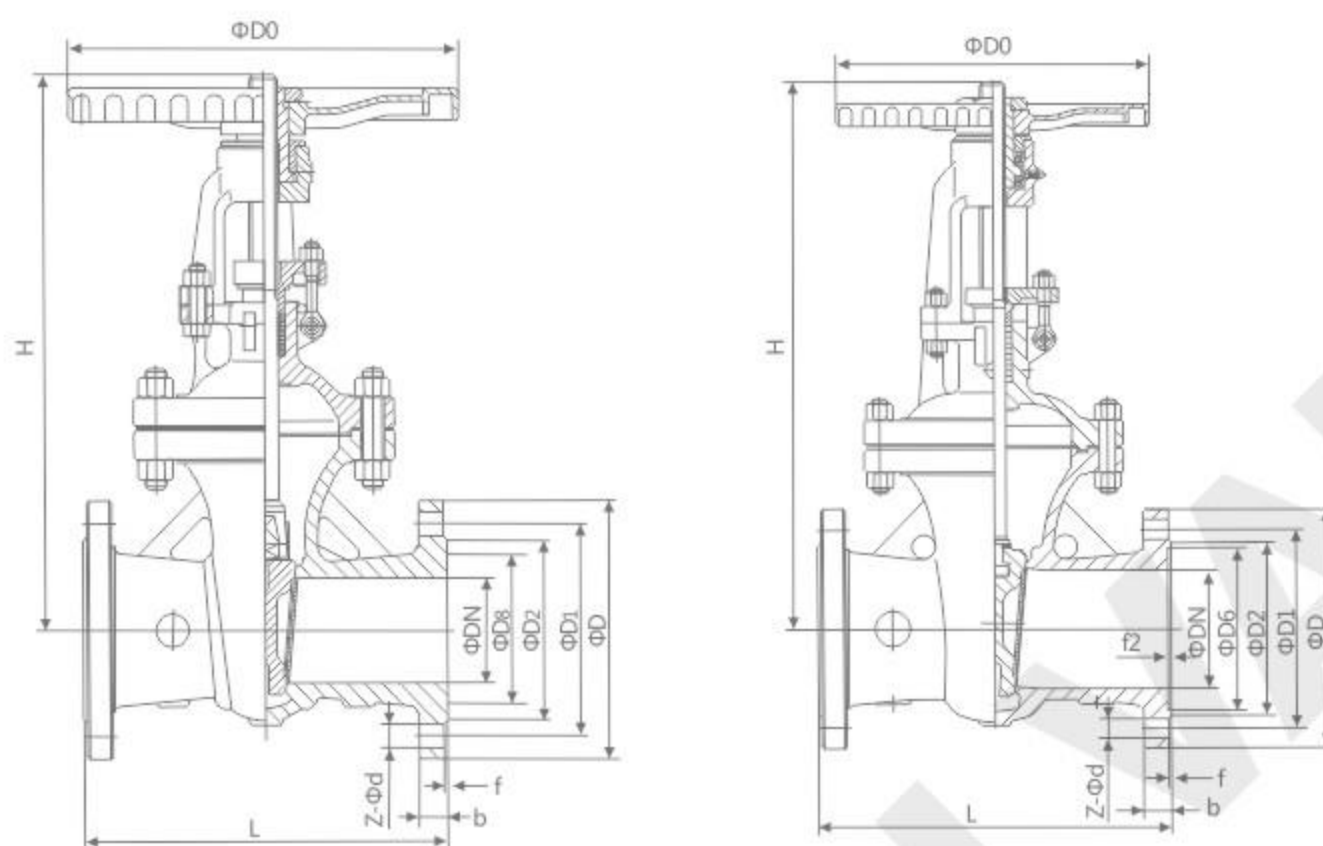
Main external and connection dimension

JB/T79.2-1994

Nominal pressure PN(MPa)	Nominal diameter DN(mm)	Size(mm)										Weight ( kg )
		L	D	D1	D2	D6	b-f	f1	Z-Φd	H	D0	
4.0	15	130	95	65	45	40	16-2	4	4-14	135	120	6
	20	150	105	75	55	51	16-2	4	4-14	190	140	8
	25	160	115	85	65	58	16-2	4	4-14	205	160	12
	32	180	135	100	78	66	18-2	4	4-18	270	180	15
	40	200	145	110	85	76	18-3	4	4-18	310	200	31
	50	250	160	125	100	88	20-3	4	4-18	371	280	34
	65	280	180	145	120	110	22-3	4	8-18	391	280	39
	80	310	195	160	135	121	22-3	4	8-18	455	320	52
	100	350	230	190	160	150	24-3	4.5	8-23	551	360	80
	125	400	270	220	188	176	28-3	4.5	8-25	628	400	127
	150	450	300	250	218	204	30-3	4.5	8-25	708	400	154
	200	550	375	320	282	260	38-3	4.5	12-30	885	450	263
	250	650	445	385	345	313	42-3	4.5	12-34	906	560	368
	300	750	510	450	408	364	46-4	4.5	16-34	1203	640	547
	350	850	570	510	465	422	52-4	5	16-34	1341	640	679
	400	950	655	585	535	474	58-4	5	16-41	1492	720	953
	500	1150	755	670	612	576	62-4	5	20-48	1627	/	1073
	600	1350	890	795	730	678	62-5	6	20-54	1925	/	1490
700	1450	995	900	835	768	68-5	6	24-54	2310	/	2640	
800	1650	1135	1030	960	876	76-5	6	24-58	2600	/	3239	
6.3	15	170	105	75	55	40	18-2	4	4-14	140	100	7
	20	190	125	90	68	51	20-2	4	4-18	140	100	9
	25	210	135	100	78	58	22-2	4	4-18	215	180	12
	32	230	150	110	82	66	24-2	4	4-23	270	180	16
	40	240	165	125	95	76	24-3	4	4-23	345	200	32
	50	250	175	135	105	88	26-3	4	4-23	470	200	39
	65	280	200	160	130	110	28-3	4	8-23	520	250	43
	80	310	210	170	140	121	30-3	4.5	8-23	570	300	60
	100	350	250	200	168	150	32-3	4.5	8-25	700	300	89
	125	400	295	240	202	176	36-3	4.5	8-30	780	350	140
	150	450	340	280	240	204	38-3	4.5	8-34	850	350	207
	200	550	405	345	300	260	44-3	4.5	12-34	1035	400	325
	250	650	470	400	352	313	48-3	4.5	12-41	1050	560	467
	300	750	530	460	412	364	54-4	4.5	16-41	1470	640	590
	350	850	595	525	475	422	60-4	5	16-41	1718	700	773
	400	950	670	585	525	474	66-4	5	16-48	1885	750	1050
	500	1150	800	705	640	576	70-4	5	20-54	2410	850	1775
	600	1350	930	820	750	678	76-5	6	20-58	2895	1000	2960

# HIGH PRESSURE FLANGE CONNECTED WITH MANUAL GATE VALVE

Z41<sup>W</sup><sub>H</sub>-<sup>100</sup>/<sub>160</sub> C, I, P, R  
250



JB/T79.2-1994  
JB/T79.4-1994

Main external and connection dimension

Nominal pressure PN(MPa)	Nominal diameter DN(mm)	Size(mm)										Weight ( kg )
		L	D	D1	D2	D8	D6	b	Z-Φd	H	D0	
10.0	15	170	105	75	55	35	40	20	4-14	140	120	6.5
	20	190	125	90	68	45	51	22	4-18	140	120	9
	25	210	135	100	78	50	58	24	4-18	310	200	13
	32	230	150	110	82	65	66	24	4-23	320	220	20
	40	240	165	125	95	75	76	26	4-23	360	240	60
	50	250	195	145	112	85	88	28	4-25	490	360	50
	65	280	220	170	138	110	110	32	8-25	540	400	70
	80	310	230	180	148	115	121	34	8-25	572	400	100
	100	350	265	210	172	145	150	38	8-30	573	400	110
	125	400	310	250	210	175	176	42	8-34	744	560	180
	150	450	350	290	250	205	204	46	12-34	800	560	250
	200	550	430	360	312	265	260	54	12-41	800	560	360
	250	650	500	430	382	320	313	60	12-41	1050	640	560
	300	750	585	500	442	375	364	70	16-48	1200	720	795
	350	850	655	560	498	420	422	76	16-54	1430	800	1155
	400	950	715	620	558	480	474	80	16-54	1743	850	1370
500	1150	815	724	635	584	576	89	24-54	2055	900	1785	
16.0	15	170	110	75	52	35	40	24	4-18	230	200	7
	20	190	130	90	62	45	51	26	4-23	260	200	10
	25	210	140	100	72	50	58	28	4-23	280	280	14
	32	230	165	115	85	65	66	30	4-25	312	320	21
	40	260	175	125	92	75	76	32	4-27	350	320	26
	50	300	215	165	132	95	88	36	8-25	512	360	73
	65	340	245	190	152	110	110	44	8-30	560	360	110
	80	390	260	205	168	130	121	46	8-30	585	400	141
	100	450	300	240	200	160	150	48	8-34	631	450	185
	125	525	355	285	238	190	176	60	8-41	723	560	320
	150	600	390	318	270	205	204	66	12-41	820	640	462
	200	750	480	400	345	275	260	78	12-48	990	720	711
	250	838	580	485	425	330	313	88	12-54	1120	800	1010
	300	965	665	570	510	380	364	100	16-54	1300	850	1430

Z41<sup>W</sup>-150Lb

## 一、Product overview

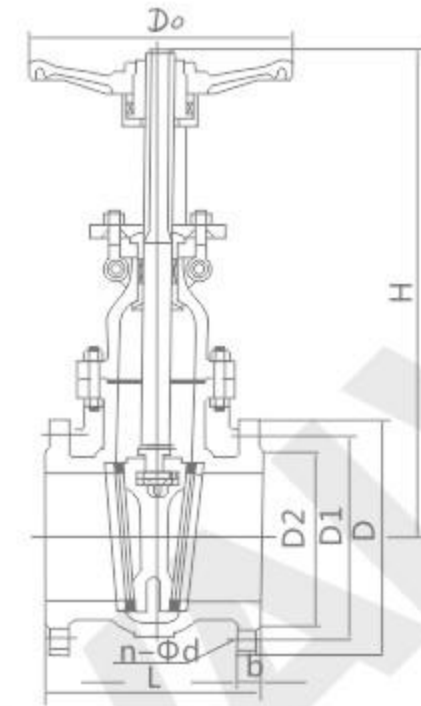
Flange connected steel gate valves are suitable for pipelines with ANSI Class150~900, PN2.0~160MPa, JIS10~20K, operating temperatures of -29~425 °C (carbon steel) and -40~500 °C (stainless steel), and are used to cut off or connect the medium in the pipeline. By selecting different materials, it can be suitable for various media such as water, steam, oil, nitric acid, acetic acid, strong oxidizing media, and urea. There are manual, bevel gear transmission, and electric transmission.

## 二、Structural characteristics of

1. The product design and manufacturing meet the requirements of advanced foreign standards, with reliable sealing and excellent performance.
2. Compact and reasonable structural design, beautiful appearance
3. Adopting a wedge type elastic gate structure and equipped with rolling bearings for medium and large diameters, it is easy to open and close.
4. The valve body material variety is complete, and the packing and gasket are reasonably selected according to actual working conditions or user requirements, which can be suitable for various pressure, temperature, and medium working conditions.
5. Adopting various domestic and foreign piping flange standards and flange sealing surface types to meet various engineering needs and user requirements

## 三、Main components material

Name	Material								
Body/Bonnet	CF8	CF3	CF8M	CF3M	WCB	LCB	WC6	WC9	C5
Wedge	CF8	CF3	CF8M	CF3M	WCB	LCB	WC6	WC9	C5
Stem	F304	F304L	F316	F316L	2CR13	F304	F304	F304	F304
Stem Nut	Aluminium Bronze								
Packing	PTFE/Flexible graphite				Graphite				
Gasket	PTFE/Metal wound gasket				Graphite				
Gland	CF8	CF3	CF8M	CF3M	WCB	LCB	WC6	WC9	C5
Bolt	Stainless Steel				35CrMoA				
Nut	Stainless Steel				45、35CrMoA				
Handwheel	Cast Steel								



## 四、Main external and connection dimension

Class(150Lb)

inch	Size(mm)								
	DN	L	D	D1	D2	b	Z-Φd	H	D0
1/2"	15	108	89	60.5	35	12	4-Φ15	155	120
3/4"	20	117	98	70	43	12	4-Φ15	160	120
1"	25	127	108	79.5	51	12	4-Φ15	200	140
1 1/2"	32	140	117	89	64	13	4-Φ15	245	160
2"	40	165	127	98.5	73	15	4-Φ15	285	180
2 1/2"	50	178	152	120.5	92	16	4-Φ19	315	200
3"	65	190	178	139.5	105	18	4-Φ19	375	220
4"	80	203	190	152.5	127	19	4-Φ19	400	240
5"	100	229	229	190.5	157	24	8-Φ19	460	280
6"	125	254	254	216	186	24	8-Φ22	540	300
8"	150	267	279	241.5	216	26	8-Φ22	620	320
10"	200	292	343	298.5	270	29	8-Φ22	800	400
12"	250	330	406	362	324	31	12-Φ25	850	450
14"	300	356	483	432	381	32	12-Φ25	1000	500
16"	350	381	533	476	413	35	12-Φ29	1300	600
18"	400	406	597	540	470	37	16-Φ29	1400	600
20"	450	432	635	578	533	40	16-Φ32	1600	650
24"	500	457	398	635	584	43	20-Φ32	1850	650
24"	600	508	813	749.5	692	48	20-Φ35	2200	700

# API GATE VALVES

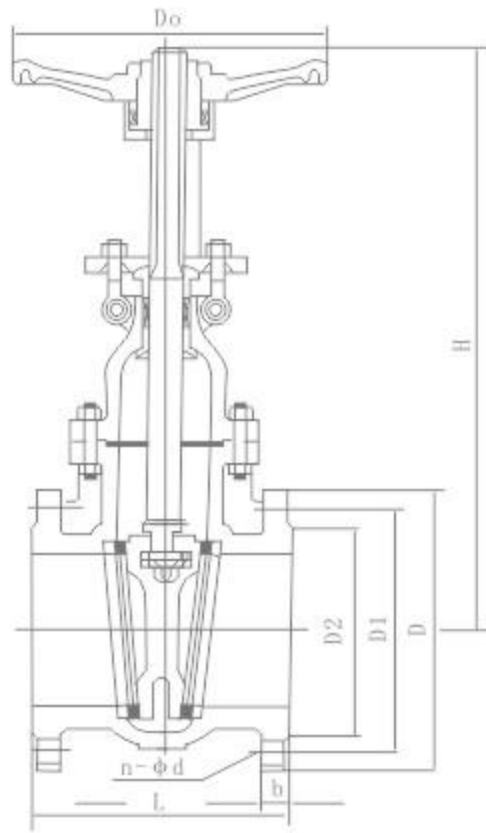
Class(300Lb)

inch	Size(mm)								
	DN	L	D	D1	D2	B	Z-Φd	H	H
1/2"	15	140	95	66.5	35	15	4-Φ15	155	120
3/4"	20	152	117	82.5	43	16	4-Φ19	160	120
1"	25	165	124	89	51	18	4-Φ19	200	140
1 1/4"	32	178	133	98.5	64	19	4-Φ19	250	160
1 1/2"	40	190	156	114.5	73	21	4-Φ22	290	180
2"	50	216	165	127	92	22	8-Φ19	330	200
2 1/2"	65	241	190	149	105	25	8-Φ22	385	220
3"	80	283	210	168.5	127	29	8-Φ22	410	240
4"	100	305	254	200	157	32	8-Φ22	480	280
5"	125	381	279	235	186	35	8-Φ22	630	300
6"	150	403	318	270	216	37	12-Φ22	690	320
8"	200	419	381	330	270	41	12-Φ25	830	400
10"	250	457	445	387.5	324	48	16-Φ29	1003	450
12"	300	502	521	451	381	51	16-Φ32	1137	500
14"	350	762	584	514.5	413	54	20-Φ32	1489	600
16"	400	838	648	571.5	470	57	20-Φ35	1581	600
18"	450	914	711	628.5	533	60	24-Φ35	2017	650
20"	500	991	775	686	584	64	24-Φ35	2228	650
24"	600	1143	914	813	692	70	24-Φ41	2650	700

Class(600Lb)

inch	Size(mm)								
	DN	L	D	D1	D2	B	Z-Φd	H	H
1/2"	15	165	95	66.5	35	15	4-Φ15	155	155
3/4"	20	190	118	82.5	43	16	4-Φ19	160	160
1"	25	216	124	89	51	18	4-Φ19	200	200
1 1/4"	32	229	133	98.5	64	21	4-Φ19	250	250
1 1/2"	40	241	156	114.5	73	23	4-Φ22	290	290
2"	50	292	165	127	92	26	8-Φ19	350	350
2 1/2"	65	330	190	149	105	29	8-Φ22	430	430
3"	80	356	210	168	127	32	8-Φ22	470	470
4"	100	432	273	216	157	38	8-Φ25	570	570
5"	125	508	330	266.5	186	45	8-Φ29	700	700
6"	150	559	356	292	216	48	12-Φ29	750	750
8"	200	660	419	349	270	56	12-Φ32	830	830
10"	250	787	508	432	324	64	16-Φ35	1210	1210
12"	300	838	559	489	381	67	20-Φ35	1350	1350
14"	350	889	603	527	413	70	20-Φ38	1600	1600
16"	400	991	686	603	470	77	20-Φ41	1800	1800
18"	450	1092	743	654	533	83	20-Φ44	2110	2110
20"	500	1194	813	724	584	89	24-Φ22	2350	2350
24"	600	1397	940	838	692	102	24-Φ52	2900	2900

# JIS GATE VALVE



## Execution standard

Design and Manufacture	Structure Length	Connection flange	Pressure-temperature rating	Test and Inspection
JIS B2073 B2083	JIS B2002	JIS B2212 B2214	JIS B2073 B2083	JIS B2003

## Main size

DN		10K		
mm	in	L	H	D0
50	2	178	409	200
65	2½	190	535	250
80	3	203	570	250
100	4	229	590	250
150	6	267	630	300
200	8	292	960	350
250	10	330	1158	400
300	12	356	1378	450
350	14	381	1543	500
400	16	406	1738	600
450	18	432	1959	600
500	20	457	2214	680
		20K		
50	2	216	480	200
65	2½	241	510	250
80	3	283	580	280
100	4	305	700	350
150	6	403	940	400
200	8	419	1190	450
250	10	457	1390	500
300	12	502	1600	500
350	14	762	1750	600
400	16	838	1900	600
450	18	914	2320	650



# DZ41HY/F LOW TEMPERATURE VALVE

## Main external and connection dimension

PN16(MPa)

DN	L	D	D1	D2	b	n-Φd	H	DO
20	150	105	75	55	14	4-Φ14	320	140
25	160	115	85	65	14	4-Φ14	350	160
32	180	135	100	78	16	4-Φ18	385	180
40	200	145	110	85	16	4-Φ18	420	220
50	250	160	125	100	16	4-Φ18	540	240
65	265	180	145	120	18	4-Φ18	610	240
80	280	195	160	135	20	8-Φ18	690	280
100	300	215	180	155	20	8-Φ18	780	300
125	325	245	210	185	22	8-Φ18	930	320
150	350	280	240	210	24	8-Φ23	980	350
200	400	335	295	265	26	12-Φ26	1180	400
250	450	405	355	320	30	12-Φ30	1390	450
300	500	460	410	375	30	12-Φ30	1620	500
350	550	520	470	435	34	16-Φ34	1810	500
400	600	580	525	485	36	16-Φ36	1970	550

PN25(MPa)

DN	L	D1	D1	D2	b	N-Φd	H	DO
20	150	105	75	55	16	4-Φ16	320	140
25	160	115	85	65	16	4-Φ16	350	160
32	180	135	100	78	18	4-Φ18	385	180
40	200	145	110	85	18	4-Φ18	420	200
50	250	160	125	100	20	4-Φ20	540	240
65	265	180	145	125	22	8-Φ22	510	240
80	280	195	160	135	22	8-Φ22	690	280
100	300	230	190	160	24	8-Φ24	780	300
125	325	270	220	188	28	8-Φ28	930	300
150	350	300	250	218	30	8-Φ30	980	320
200	400	360	310	278	34	12-Φ34	1180	360
250	450	425	370	332	36	12-Φ36	1390	400
300	500	485	430	390	40	16-Φ40	1620	450
350	550	550	490	448	44	16-Φ44	1810	500
400	600	610	550	505	48	16-Φ48	1990	560

# DZ41HY/F LOW TEMPERATURE VALVE

## Main external and connection dimension

PN40(MPa)

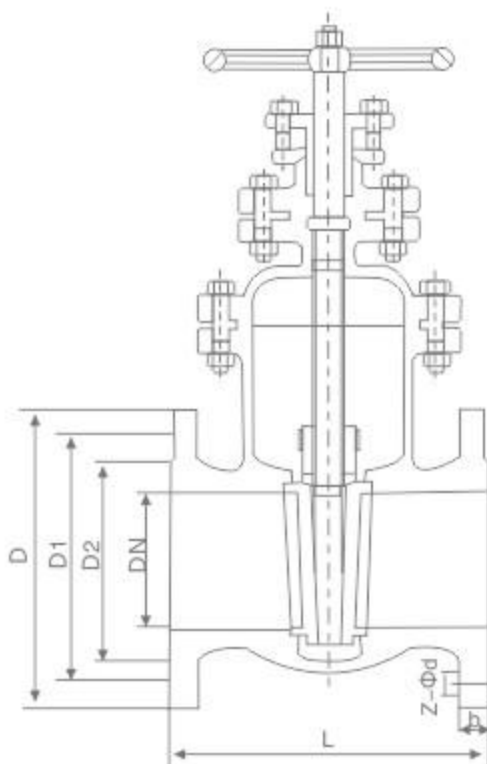
DN	L	D	D1	D2	D6	b	N-Φd	H	Do
20	150	105	75	55	51	16	4-Φ14	330	140
25	160	115	85	65	58	16	4-Φ14	360	160
32	180	135	100	78	66	18	4-Φ18	440	180
40	200	145	110	85	76	18	4-Φ18	455	200
50	250	160	125	100	88	20	4-Φ18	575	240
65	380	180	145	120	110	22	4-Φ20	635	240
80	3103	195	160	135	121	22	8-Φ22	715	280
100	50	230	190	160	150	24	8-Φ22	815	300
125	400	270	220	188	176	28	8-Φ24	965	360
150	450	300	250	218	204	30	8-Φ28	1025	400
200	550	375	320	282	160	38	8-Φ30	1225	450
250	650	445	385	345	313	42	12-Φ34	1440	560
300	750	510	450	408	364	46	16-Φ34	1665	5470
350	850	570	510	465	422	52	16-Φ41	1880	720
400	950	655	585	535	474	58	16-Φ18	2050	800

PN64(MPa)

DN	L	D	D1	D2	D6	b	N-Φd	H	Do
20	190	125	90	68	51	20	4-Φ18	330	180
25	210	135	100	78	58	22	4-Φ23	360	180
32	230	150	110	82	66	24	4-Φ23	410	180
40	240	165	125	95	76	24	4-Φ23	480	220
50	250	175	135	105	88	26	4-Φ23	585	240
65	280	200	160	130	110	28	8-Φ23	690	240
80	310	210	170	140	121	30	8-Φ23	745	280
100	350	250	200	168	150	32	8-Φ25	885	300
125	400	295	240	202	176	36	8-Φ30	985	360
150	450	340	280	240	204	38	8-Φ34	1050	400
200	550	405	345	300	260	44	12-Φ34	1240	450
250	650	470	400	352	313	48	12-Φ41	1460	560
300	750	530	160	412	364	54	16-Φ41	1670	5640

# NON-RISING STEM GATE VALVE

Z45<sup>W</sup>-16C、P、R



## Technical parameters

Pressure rating	Body voltage	Seal test	Working temperature	Suitable medium
1.0MPa、1.6MPa	1.5MPa、2.4MPa	1.1MPa、1.76MPa	0~80°C	water, gas, etc

## Main components material

Name	Material								
	CF8	CF3	CF8M	CF3M	WCB	LCB	WC6	WC9	C5
Body/Bonnet	CF8	CF3	CF8M	CF3M	WCB	LCB	WC6	WC9	C5
Wedge	CF8	CF3	CF8M	CF3M	WCB	LCB	WC6	WC9	C5
Stem	F304	F304L	F316	F316L	2CR13	F304	F304	F304	F304
Stem Nut	Aluminium Bronze								
Packing	PTFE/Flexible graphite				Graphite				
Gasket	PTFE/Metal wound gasket				Graphite				
Gland	CF8	CF3	CF8M	CF3M	WCB	LCB	WC6	WC9	C5
Bolt	Stainless Steel				35CrMoA				
Nut	Stainless Steel				45、35CrMoA				
Handwheel	Cast Steel								

## Main dimensions

Nominal diameter DN(mm)	Dimensions (mm)					
	L	D	D1	D2	b	Z-Φd
50	250	160	125	100	16	4-18
65	265	180	145	120	18	4-18
80	280	195	160	135	20	8-18
100	300	215	180	155	20	8-18
125	325	245	210	185	22	8-18
150	350	280	240	210	24	8-23
200	400	335	295	265	26	12-23
250	450	405	355	320	30	12-25
300	500	460	410	375	30	12-25
350	550	520	470	435	34	16-25
400	600	580	525	485	36	16-30