

02

GLOBE VALVE SERIES

Valve Manufacturing In Action



GB GLOBE VALVE

Structural advantages and characteristics

- 1、 The product designed and manufactured according to national standard GB 12235, reasonable structure, reliable sealing, excellent performance and beautiful shape.
- 2、 Flap valve, the valve seat sealing surface of iron based alloy or stellite (stellite) made of cobalt-based alloy welding, wear-resistant, high temperature, corrosion, anti-abrasion performance, long life .
- 3、 Stem quenched and the nitrogen treatment, with good resistance to corrosion and scratch resistance.
- 4、 Can be used with a variety of standard pipe flanges and flange sealing surface types to meet various project needs and user requirements.
- 5、 Body material variety, packing, gasket can be based on actual working conditions or the user requests a reasonable option, can be applied with all kinds of pressure, temperature and medium conditions.
- 6、 Sealed with screw connection seal back seat or body made of stainless steel welding, sealing and reliable replacement of filling in non-stop convenient and efficient manner does not affect system operation.

Standards and norms

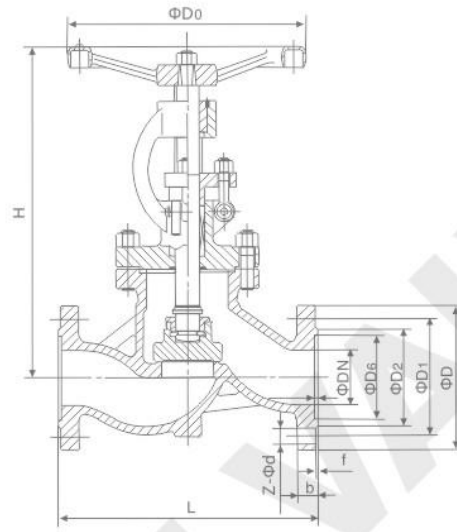
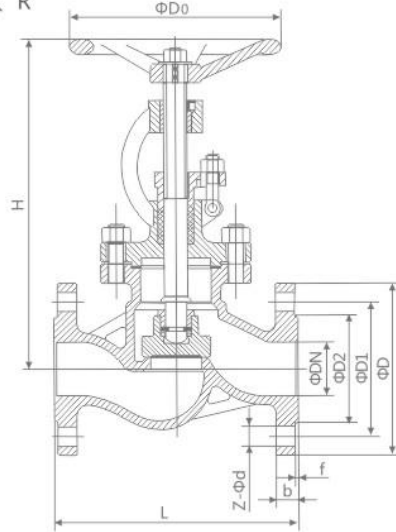
Design and Manufacture	Structure Length	temperature rating	Connecting flange	Test and Inspection
GB 12235	GB 12221	GB 12224	JB/T 79/82~1994 GB 9113 HG 20592-20635	JB/T 9092-1999 GB 13927

Main components material

Name	Material								
Body/Bonnet	CF8	CF3	CF8M	CF3M	WCB	LCB	WC6	WC9	C5
Wedge	CF8	CF3	CF8M	CF3M	WCB	LCB	WC6	WC9	C5
Stem	F304	F304L	F316	F316L	2CR13	F304	F304	F304	F304
Stem Nut	Aluminium Bronze								
Packing	PTFE/Flexible graphite				Graphite				
Gasket	PTFE/Metal wound gasket				Graphite				
Gland	CF8	CF3	CF8M	CF3M	WCB	LCB	WC6	WC9	C5
Bolt					35CrMoA				
Nut	Stainless Steel				45、 35CrMoA				
Handwheel	Stainless Steel				Cast Steel				

GB GLOBE VALVE

J41 $\frac{W}{Y} - \frac{1.6}{2.5} C, I, P, R$



JB/T79.1-1994
JB/T79.2-1994

Main external and connection dimension

Nominal pressure PN(MPa)	Nominal diameter DN(mm)	Size(mm)										Weight (Kg)
		L	D	D1	D2	D6	b-f	f2	Z-φd	H	D0	
1.6	10	130	90	60	40	/	14-2	/	4-14	198	120	4.7
	15	130	95	65	45	/	14-2	/	4-14	218	120	5.2
	20	150	105	75	55	/	14-2	/	4-14	230	140	7.1
	25	160	115	85	65	/	14-2	/	4-14	240	160	7.4
	32	180	135	100	78	/	16-2	/	4-18	250	180	8.5
	40	200	145	110	85	/	16-3	/	4-18	262	200	12.5
	50	230	160	125	100	/	16-3	/	4-18	280	240	19.2
	65	290	180	145	120	/	18-3	/	4-18	327	280	26.5
	80	310	195	160	135	/	20-3	/	8-18	355	280	29
	100	350	215	180	155	/	20-3	/	8-18	415	320	41
	125	400	245	210	185	/	22-3	/	8-18	460	360	57
	150	480	280	240	210	/	24-3	/	8-23	510	400	86.5
	200	600	335	295	265	/	26-3	/	12-23	588	400	140
	250	650	405	355	320	/	30-3	/	12-25	725	450	220
	300	750	460	410	375	/	30-4	/	12-25	925	500	325
	350	850	520	470	435	/	34-4	/	16-25	1030	600	590
400	950	580	525	485	/	36-4	/	16-30	1170	700	750	
450	1050	640	585	545	/	40-4	/	20-30	1220	800	89	
500	1150	705	650	608	/	44-4	/	20-34	1410	900	1225	
600	1350	840	770	718	/	48-5	/	20-41	1610	1000	2200	

GB GLOBE VALVE

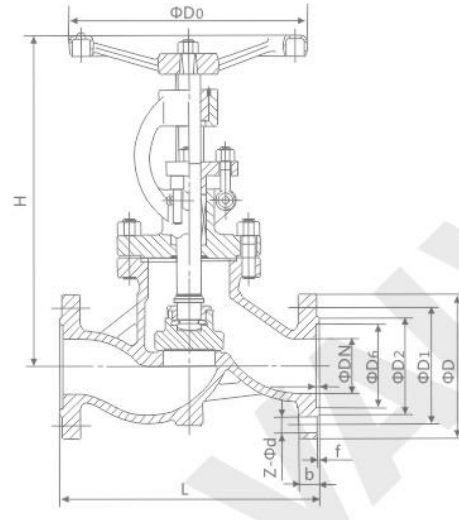
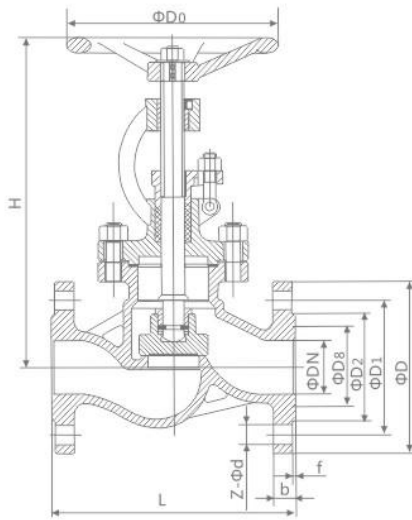
Main external and connection dimension

Nominal pressure PN(MPa)	Nominal diameter DN(mm)	Size(mm)										Weight (Kg)
		L	D	D1	D2	D6	b-f	f2	Z-Φd	H	D0	
2.5	10	130	90	60	40	/	16-2	/	4-14	198	120	4.9
	15	130	95	65	45	/	16-2	/	4-14	218	120	5.4
	20	150	105	75	55	/	16-2	/	4-14	258	140	7
	25	160	115	85	65	/	16-2	/	4-14	275	160	7.4
	32	180	135	100	78	/	18-2	/	4-18	280	180	8.5
	40	200	145	110	85	/	18-3	/	4-18	330	200	12.5
	50	230	160	120	100	/	20-3	/	4-18	350	240	20
	65	290	180	145	120	/	22-3	/	8-18	400	280	29
	80	310	195	160	135	/	22-3	/	8-18	355	280	32
	100	350	230	190	160	/	24-3	/	8-23	415	320	45
	125	400	270	220	188	/	28-3	/	8-25	460	360	63
	150	480	300	250	218	/	30-3	/	8-25	510	400	90
	200	600	360	310	278	/	34-3	/	12-25	710	400	160
	250	650	425	370	332	/	36-3	/	12-30	786	450	240
	300	750	485	430	390	/	40-4	/	16-30	925	500	390
	350	850	550	490	448	/	44-4	/	16-34	1030	600	650
	400	950	610	550	505	/	48-4	/	16-41	1170	700	820
	450	1050	660	600	555	/	50-4	/	20-34	1220	800	960
500	1150	730	660	610	/	52-4	/	20-41	1450	900	1310	
600	1350	840	770	718	/	56-5	/	20-41	1810	1000	2420	
4.0	10	130	90	60	40	35	16-2	4	4-14	198	120	4.9
	15	130	95	65	45	40	16-2	4	4-14	233	120	5.7
	20	150	105	75	55	51	16-2	4	4-14	275	140	7
	25	160	115	85	65	58	16-2	4	4-14	285	160	8.8
	32	180	135	100	78	66	18-2	4	4-18	302	180	11.8
	40	200	145	110	85	76	18-3	4	4-18	355	200	16.5
	50	230	160	125	100	88	20-3	4	4-18	373	240	24
	65	290	180	145	120	110	22-3	4	8-18	408	280	33
	80	310	195	160	135	121	22-3	4	8-18	436	320	44
	100	350	230	190	160	150	24-3	4.5	8-23	480	360	60
	125	400	270	220	188	176	28-3	4.5	8-25	558	400	89
	150	480	300	250	218	204	30-3	4.5	8-25	611	400	98
	200	600	375	320	282	260	38-3	4.5	12-30	720	400	190
	250	650	445	385	345	313	42-3	4.5	12-34	665	500	265
	300	750	510	450	408	364	46-4	4.5	16-34	720	550	430
	350	850	570	510	465	422	52-4	5	16-34	860	600	715
	400	950	655	585	535	474	58-4	5	16-41	1010	700	900
	450	1050	680	610	560	524	60-4	5	20-41	1190	800	1440
500	1150	755	670	612	576	62-4	5	20-48	1260	900	2660	

Note: Electric or gear drive, the price extra.

GB GLOBE VALVE

J41 $\frac{W}{Y} - \frac{6.3}{100} C, I, P, R$
160



Main external and connection dimension

JB/T79.4-1994
JB/T79.2-1994

Nominal pressure PN(MPa)	Nominal diameter DN(mm)	Size(mm)											Weight(Kg)
		L	D	D1	D2	D6	D8	b-f	f2	Z-φd	H	D0	
6.3	10	170	100	70	50	35	/	18-2	4	4-14	198	120	5.7
	15	170	105	75	55	40	/	18-2	4	4-14	195	140	10
	20	190	125	90	68	51	/	20-2	4	4-18	228	160	13
	25	210	135	100	78	58	/	22-2	4	4-18	275	180	14.5
	32	230	150	110	82	66	/	24-2	4	4-23	325	200	19
	40	260	165	125	95	76	/	24-3	4	4-23	360	240	25
	50	300	175	135	105	88	/	26-3	4	4-23	410	280	35
	65	340	200	160	130	110	/	28-3	4	8-23	450	320	48
	80	380	210	170	140	121	/	30-3	4	8-23	485	360	56
	100	430	250	200	168	150	/	32-3	4.5	8-25	537	400	70
	125	500	295	240	202	176	/	36-3	4.5	8-30	631	400	100
	150	550	340	280	240	204	/	38-3	4.5	8-34	646	450	152
	200	650	405	345	300	260	/	44-3	4.5	12-34	813	500	283
	250	775	470	400	352	313	/	48-3	4.5	12-41	985	550	462
	300	900	530	460	412	364	/	54-4	4.5	16-41	1214	600	885
	350	1025	595	525	475	422	/	60-4	5	16-41	1432	650	1554
400	1150	670	585	525	474	/	66-4	5	16-48	1650	700	1850	
10.0	10	170	100	70	50	/	35	20-2	/	4-14	198	120	6
	15	170	105	75	55	/	45	20-2	/	4-14	202	140	11
	20	190	125	90	68	/	50	22-2	/	4-18	228	160	13.2
	25	210	135	100	78	/	65	24-2	/	4-18	250	180	14
	32	230	150	110	82	/	75	24-2	/	4-23	326	220	15
	40	260	165	125	95	/	85	26-3	/	4-23	359	240	29
	50	300	195	145	112	/	110	28-3	/	4-25	414	280	49
	65	340	220	170	138	/	115	32-3	/	8-25	434	320	65
	80	380	230	180	148	/	145	34-3	/	8-25	547	400	95
	100	430	265	210	172	/	145	38-3	/	8-30	621	450	115
	125	500	310	250	210	/	175	42-3	/	8-34	732	450	149
	150	550	350	290	250	/	205	46-3	/	12-34	840	500	310
	200	650	430	360	312	/	265	54-3	/	12-41	925	550	590
250	775	500	430	382	/	320	60-3	/	12-41	1155	600	991	
300	900	585	500	442	/	375	70-4	/	16-48	1340	700	1361	
16.0	15	170	100	75	52	/	35	24-2	/	4-18	148	140	12.2
	20	190	130	90	62	/	45	26-2	/	4-23	156	160	15
	25	210	140	100	72	/	50	28-2	/	4-23	125	180	17
	32	230	165	115	85	/	65	30-2	/	4-25	200	200	21.4
	40	260	175	125	92	/	75	32-3	/	4-27	231	240	32
	50	300	215	165	132	/	95	36-3	/	8-25	262	250	52
	65	340	245	190	152	/	110	44-3	/	8-30	303	320	69
	80	380	260	205	168	/	130	46-3	/	8-30	341	400	98
	100	430	300	240	200	/	160	48-3	/	8-34	485	450	119
	150	550	390	318	270	/	190	74-3	/	12-41	630	550	446
200	650	480	400	345	/	205	78-3	/	12-48	775	700	930	

Note: Electric or gear drive, the price extra.

API GLOBE VALVE

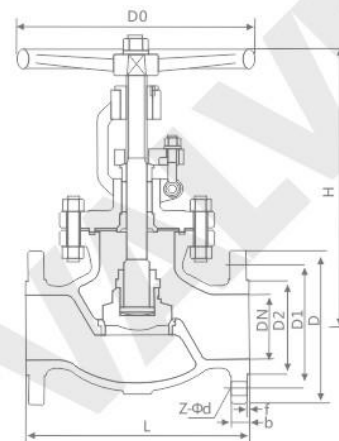
J41 $\frac{W}{H}$ -150Lb

Products overview

American standard cut-off valve mainly include API and ASME standard, ASTM, ASTM material standard, not the standard valve itself; According to the American standard design, manufacturing, production, testing, the cut-off valve American standard cut-off valve.

Product advantages

1. The fluid resistance is small, its resistance coefficient with section of equal length.
2. Simple structure, small volume, light weight.
3. Compact and reliable, the gate valve sealing surface of materials widely used plastic, sealing is good, have been widely used in the vacuum system.
4. Easy to operate, open and close quickly, from open to close just rotate 90°, is advantageous for the remote control.
5. Easy maintenance structure is simple, sealing ring, which generally remove replacement is more convenient.
6. In the fully open or fully closed, the valve body and seat sealing surface and the dielectric isolation, medium through, does not cause the valve sealing surface erosion.
7. Applicable scope is wide, size from small to several millimeters, big to a few meters, from high vacuum to high pressure can be applied, the ball rotate 90 degrees, in the inlet and outlet should be completely present spherical, thereby cutting flow.



Standard

Design and Manufacture	Structure Length	Connection flange	Butt welding connection size	Pressure-temperature rating	Test and Inspection
ANSI B16.34 BS1873	ANSI B16.10	ANSI B16.5	ANSI B16.25	ANSI B16.34	API 598

Pressure test

PN(Lb)	Strength Test		Water Sealing Test		Air tightness test	
	MPa	Lbf/in2	MPa	Lbf/in2	MPa	Lbf/in2
150	3.0	430	2.2	315	0.4-0.7	60-100
300	7.7	1110	5.7	815		
600	15.3	2220	11.3	1630		
900	23.0	3330	17.0	2445		
1500	38.4	5560	28.2	4080		
2500	64.0	9255	47.0	6790		

Major parts material and the performance

Operculum corpons	Valve stem	Sealing surface	Spacer (Ring)	Filler	Operation temperature	Applicable medium
WCB	2Cr13	CF8/13Cr/STL Body material/nylon	Reinforced flexible graphite 13cr Flexible graphite SFB-2 08 Mild steel F304F316F304LF316L	flexible graphite Reinforced flexible graphite	≤ 425	Water vapor oil
WC1	38CrMoAl 25Cr2MoV				≤ 425	
WC6					≤ 540	
WC9					≤ 570	
C5 C12					≤ 540	
CF8	F304				≤ 200	Urea nitrate acetate
CF8M	F316					
CF3	F304L					
CF3M	F316L					

Note: Electric or gear drive, the price extra.

API GLOBE VALVE

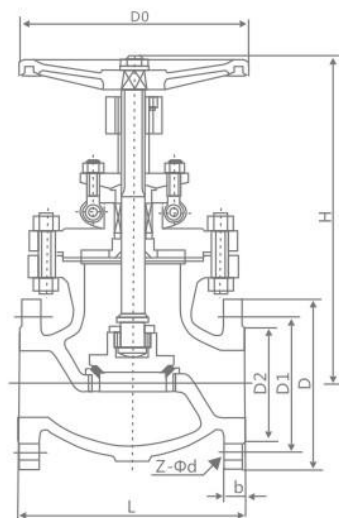
Main dimensions and weight

DN		150Lb (RF) (mm)								Weight(Kg)
mm	in	L	D	D1	D2	b	N-Φd	H	D0	
15	1/2	108	89	60.5	35	11.2	4-16	241	100	6.9
20	3/4	117	98	69.9	43	12.7	4-16	241	100	9.8
25	1	127	108	79.2	51	14.2	4-16	242	125	13.5
32	1 1/4	140	117	89	63	16	4-16	280	160	19.5
40	1 1/2	165	127	98.6	73	17.5	4-16	286	160	28.5
50	2	203	152	120.7	92	19	4-19	368	200	18
65	2 1/2	216	178	139.7	105	22.4	4-19	387	200	30
80	3	241	190	152.4	127	24	4-19	411	250	41
100	4	292	229	190.5	157	24	4-19	454	250	64
125	5	356	254	216.0	186	24	8-22.5	455	350	86
150	6	406	279	241.3	216	25.4	8-22.5	541	350	113
200	8	495	343	298.5	270	28.4	8-22.5	651	450	178
250	10	622	406	362.0	324	30.2	12-25.4	800	450	270
300	12	698	483	431.8	381	32	12-25.4	1231	600	350
350	14	787	533	476.3	413	35	12-29	1450	600	460
400	16	914	597	539.8	470	36.6	16-29	1645	600	590

DN		300Lb(RF) (mm)								Weight(Kg)
mm	in	L	D	D1	D2	B	N-Φd	H	D0	
15	1/2	152	95	66.5	35	14.2	4-16	241	140	7.7
20	3/4	178	117	82.5	43	16	4-19	241	140	11.3
25	1	203	123	89	51	17.5	4-19	283	160	16.8
32	1 1/4	216	133	98.5	63	19	4-19	320	200	21.2
40	1 1/2	229	155	114.3	73	20.6	4-22.5	322	200	32.6
50	2	267	165	127	92	22.4	8-19	399	200	25
65	2 1/2	292	190	149.4	105	25.4	8-22.5	438	250	30
80	3	318	210	168.1	127	28.4	8-22.5	464	280	35
100	4	356	254	200.2	157	31.8	8-22.5	565	350	56
125	5	400	279	235	186	35	8-22.5	614	350	96
150	6	444	318	269.7	216	36.6	12-25.4	717	400	120
200	8	559	381	330.2	270	41.2	12-25.4	930	500	212
250	10	622	444	387.4	324	47.8	16-28.5	1012	550	330
300	12	711	521	450.8	381	50.8	16-32	1231	600	472
350	14	838	584	514.4	413	54	20-32	1450	600	715
400	16	864	648	571.5	470	57.2	20-35	1645	600	920

DN		600Lb(RF) (mm)								Weight(Kg)
mm	in	L	D	D1	D2	B	N-Φd	H	D0	
15	1/2	165	95	66.5	35	14.5	4-16	285	100	7.8
20	3/4	190	117	82.5	43	16	4-19	285	125	12.5
25	1	216	124	89	51	17.5	4-19	313	160	17.5
32	1 1/4	229	133	98.5	63	21	4-19	328	160	23.5
40	1 1/2	241	156	114.3	73	22.5	4-22.5	365	180	38.5
50	2	292	165	127	92	33	8-19	444	200	35
65	2 1/2	330	190	149.4	105	36	8-22.5	483	250	50
80	3	356	210	168.1	127	39	8-22.5	533	250	60
100	4	432	273	216	157	45	8-25.4	622	350	110
125	5	508	330	266.7	186	52	8-28.5	750	350	200
150	6	559	356	292.1	216	55	12-28.5	800	450	230
200	8	660	419	349.3	270	63	12-32	927	500	410
250	10	787	508	431.8	324	71	16-35	1257	600	625
300	12	838	559	489	381	74	20-35	1468	680	860

JIS GLOBE VALVE



Execution standard

Design and Manufacture	Structure Length	Connection flange	Pressure-temperature rating	Test and Inspection
JIS B2071 B2081	JIS B2002	JIS B2212 B2214	JIS B2071 B2081	JIS B2003

The performance specification

Body Material	SCPH2-11	SCPH-32	SCS13A	SCS19A	SCS14A	SCS16A	SCPL1
Applicable Temperature	≤425°C	≤540°C	≤275°C	≤200°C	≤275°C	≤200°C	-45~-150°C
Applicable Medium	Water vapor oil		Nitric Acid		Acetic acid		Ammonia liquid ammonia

Main size

DN		10K							
mm	Im	L	D	D1	D2	b	n-Φd	H	D0
50	2	203	155	120	100	16	4-Φ19	360	200
65	2 1/2	216	175	140	120	18	4-Φ19	380	200
80	3	241	185	150	130	18	8-Φ19	415	250
100	4	292	210	175	155	18	8-Φ19	465	250
125	5	356	250	210	185	20	8-Φ23	515	300
150	6	406	280	240	215	22	8-Φ23	545	350
200	8	495	330	290	265	22	12-Φ23	675	450
		20K							
50	2	267	155	120	100	18	8-Φ19	420	200
65	2 1/2	292	175	140	120	20	8-Φ19	465	250
80	3	318	200	160	135	22	8-Φ23	490	300
100	4	356	225	185	160	24	8-Φ23	590	350
125	5	400	270	225	195	26	8-Φ25	690	400
150	6	444	305	260	230	28	12-Φ25	760	450
200	8	559	350	305	275	30	12-Φ25	1070	450

INSULATION GLOBE VALVE

BJ45H/Y-15-40C/P/R

Product overview

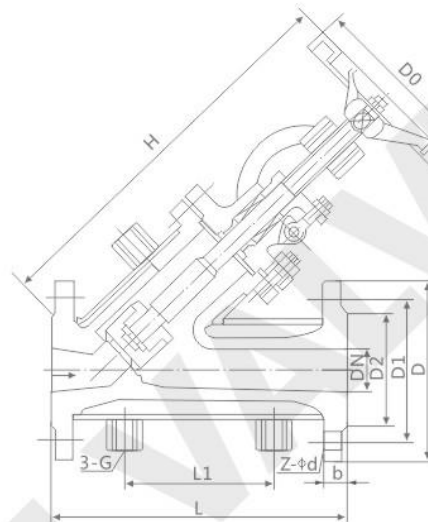
The insulation shut-off valve is the most widely used type of valve, and its popularity is due to the low friction between the sealing surfaces during the opening and closing process, its durability, low opening height, easy manufacturing, and convenient maintenance. It is not only suitable for medium and low pressure, but also for high pressure. Its closing principle is to rely on the pressure of the valve stem to tightly fit the sealing surface of the valve disc and the sealing surface of the valve seat, preventing the flow of medium. The insulation shut-off valve only allows one-way flow of medium and has directional installation. Its structural length is larger than that of the gate valve, and at the same time, the fluid resistance is high, which results in poor sealing reliability during long-term operation. Insulation globe valves are divided into three categories: straight through, right angle, and direct flow diagonal globe valves.

Product advantages

1. The structure is simple, and manufacturing and maintenance are relatively convenient.
2. Small working stroke and short opening and closing time.
3. Good sealing performance, low friction between sealing surfaces, and long service life.

Product defect

1. The fluid resistance is high, and the force required for opening and closing is high.
2. It is not suitable for media with particles, high viscosity, and easy coking.
3. Poor regulation performance.



Main external and connection dimension

Unit:mm

Nominal diameter DN(mm)	PN2.5/4.0MPa							G	H	D0	WT (kg)
	L	L1	D	D1	D2	b	Z-φd				
	BJ45H-25		BJ45HY-25P		BJ45Y-25R		BJ45Y-25R3				
15	130	50	95	65	45	16-2	4-Φ14	1/2 "	210	120	15
20	150	60	105	75	55	16-2	4-Φ14	1/2 "	240	140	21
25	160	70	115	85	65	16-2	4-Φ14	1/2 "	250	160	25
32	180	80	135	100	78	18-2	4-Φ18	1/2 "	270	160	30
40	200	100	145	110	85	18-3	4-Φ18	1/2 "	310	160	36
50	230	110	160	125	100	20-3	4-Φ18	3/4 "	330	240	40
65	290	130	180	145	120	22-3	8-Φ18	3/4 "	360	240	54
80	310	150	195	160	135	22-3	8-Φ18	3/4 "	400	280	70
100	350	200	230	190	160	24-3	8-Φ23	1 "	480	320	100
125	400	210	270	220	188	28-3	8-Φ25	1 "	550	360	130
150	480	240	300	250	218	30-3	8-Φ25	1 "	620	300	170
200	600	300	360	310	278	34-3	12-Φ25	1 "	750	400	250
	BJ45H-40		BJ45HY-40P		BJ45Y-40R		BJ45Y-40R3				
15	130	50	95	65	45	16-2	4-Φ14	1/2 "	210	120	18
20	150	60	105	75	55	16-2	4-Φ14	1/2 "	240	140	21
25	160	70	115	85	65	16-2	4-Φ14	1/2 "	250	160	25
32	180	80	135	100	78	18-2	4-Φ18	1/2 "	270	160	33
40	200	100	145	110	85	18-3	4-Φ18	1/2 "	310	160	41
50	230	110	160	125	100	20-3	4-Φ18	3/4 "	330	240	45
65	290	130	180	145	120	22-3	8-Φ18	3/4 "	360	240	62
80	310	150	195	160	135	22-3	8-Φ18	3/4 "	400	280	80
100	350	200	230	190	160	24-3	8-Φ23	1 "	480	320	100
125	400	210	270	220	188	28-3	8-Φ25	1 "	550	360	130
150	480	240	300	250	218	30-3	8-Φ25	1 "	620	300	185
200	600	300	375	320	282	38-3	12-Φ30	1 "	750	400	168

STAINLESS STEEL ANTIBIOTIC FLANGE GLOBE VALVE

KJ41F-16-40/P/R

Product use

Antibiotic stop valves are mainly used in biological fermentation, pharmaceutical and beer fermentation, amino acid fermentation, Biopesticide fermentation, biological fertilizer fermentation, biological, biochemical, chemical specialty materials, water, steam, cold control and other fields. The bottom can be opened according to customer needs drainage holes, high temperature resistance, long service life, no dead angle to zero leakage level.

Product features

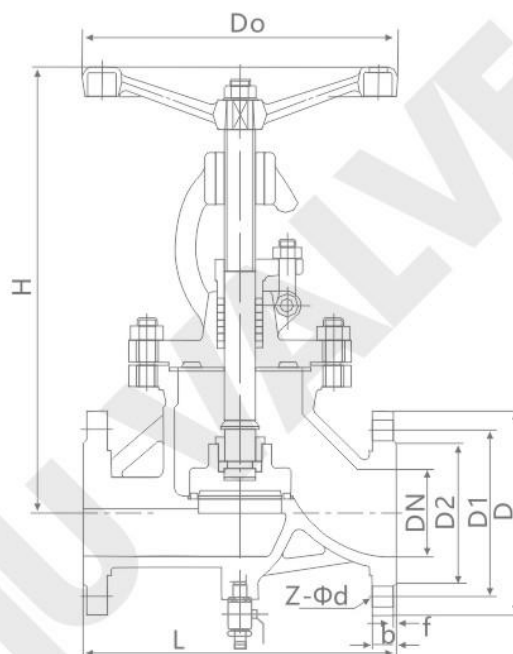
1. Has strong sterilization and detoxification functions to prevent product contamination
2. The sealing gasket is made of high-temperature resistant polytetrafluoroethylene composite material.
3. The sealing gasket, valve body middle sealing ring, and valve stem packing are all made of high-quality polytetrafluoroethylene material. Long service life, corrosion resistance, ensuring no internal or external leakage.
4. The streamlined flow channel reduces pressure loss.
5. The sealing gasket can be replaced, making disassembly more convenient and maintaining low costs.

Main design parameters:

Scope: DN150≈DN300
 Pressure range:PN16-PN40
 Temperature range: -20≈200°C
 Drive mode:Manual, Electric
 Body material: Cast steel, Stainless steel
 Connection:Flange

Design and Manufacturing standards

Design and Manufacturing: GB/T 12235
 Flange size: JB/T 79.1~2
 Structure length: GB/T12221
 Testing and Testing: JB/T 9092



Product main performance specifications

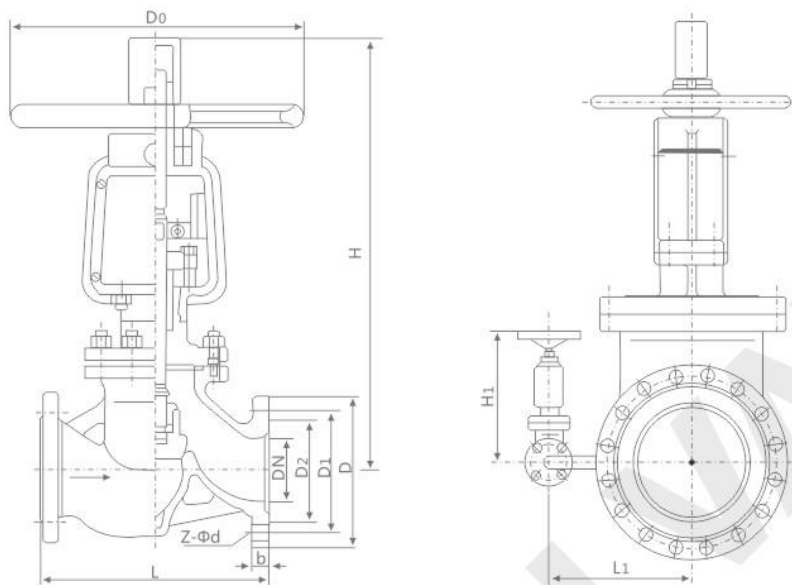
Nominal pressure PN		1.6MPa	
Test pressure	Strength test	2.4	MPa
	Sealing test	1.76	
	Back seal test	1.76	
	Gas seal test	0.6	
Highest working temperature		120	°C
Applicable medium: Acid, water, steam, food, etc.			

Main external and connection dimension

Nominal diameter DN(mm)	Main connecting dimensions								
	L	D	D1	D2	b	Z-Φd	H1	H2	Do
15	130	95	65	45	14	4-Φ14	252	194	120
20	150	105	75	55	14	4-Φ14	270	200	120
25	160	115	85	65	14	4-Φ14	310	235	140
32	180	135	100	78	15	4-Φ18	322	260	160
40	200	145	110	85	16	4-Φ18	360	345	180
50	230	160	125	100	16	4-Φ18	408	370	200
65	290	180	145	120	18	4-Φ18	435	420	240
80	310	195	160	135	20	8-Φ18	475	455	280
100	350	215	180	155	20	8-Φ18	525	495	320
125	400	245	210	185	22	8-Φ18	600	570	360
150	480	280	240	210	24	8-Φ23	675	630	400
200	600	335	295	265	26	12-Φ23	730	700	500

STAINLESS STEEL OXYGEN SPECIAL GLOBE VALVE

YJ41H-25-40P/T



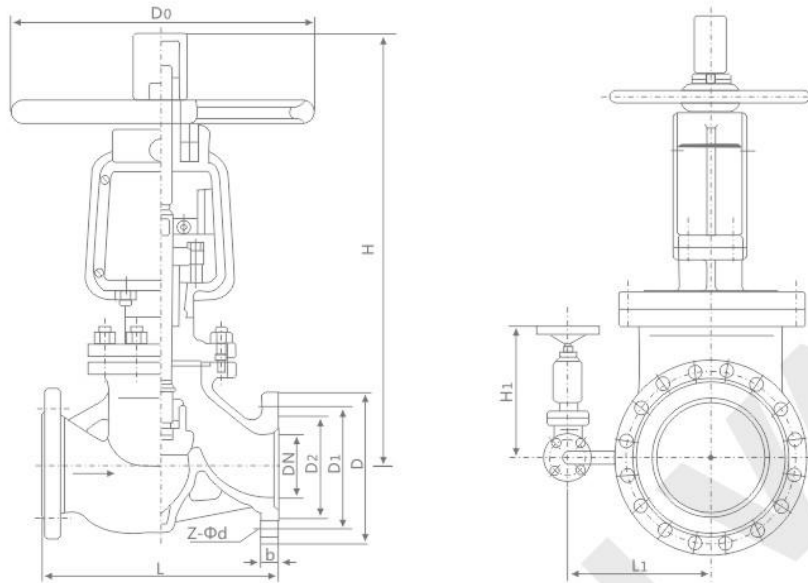
Main external and connection dimension

JB/T79.1
Unit:mm

Nominal diameter DN(mm)	Main External and Connection Dimension										WT (kg)
	L	D	D1	D2	b	Z-Φd	Do	H	H1	L1	
YJ41W-25P YJ41W-25T											
15	130	95	65	45	16	4-14	100	190	-	-	5
20	150	105	75	55	16	4-14	100	213	-	-	6.5
25	160	115	85	65	16	4-14	125	236	-	-	7
32	180	135	100	78	18	4-18	182	312	-	-	13.5
40	200	145	115	85	18	4-18	160	328	-	-	16
50	230	160	125	100	20	4-18	320	450	-	-	32
65	290	180	145	120	22	8-18	360	530	-	-	46
80	310	195	160	135	22	8-18	400	560	-	-	60
100	350	230	190	160	24	8-23	450	618	-	-	80
125	400	270	220	188	28	8-25	450	675	-	-	107
150	480	300	250	218	30	8-25	560	743	-	-	134
200	600	360	310	278	34	12-25	640	850	-	-	268.7
250	650	425	370	332	36	12-30	720	975	340	330	449
300	750	485	430	390	40	16-30	800	1115	340	415	663
400	950	610	550	505	48	16-34	900	1330	340	465	1170

STAINLESS STEEL OXYGEN SPECIAL GLOBE VALVE

YJ41H-25-40P/T



Main external and connection dimension

JB/T79.2
Unit:mm

Nominal diameter DN(mm)	Main External and Connection Dimension											WT (kg)
	L	D	D1	D2	D6	b	Z-Φd	D0	H	H1	L1	
YJ41W-40P YJ41W-40T												
15	130	95	65	45	40	16	4-14	100	202	-	-	5
20	150	105	75	55	51	16	4-14	100	225	-	-	6.5
25	160	115	85	65	58	16	4-14	125	236	-	-	7
32	180	135	100	78	66	18	4-18	180	312	-	-	13.5
40	200	145	110	85	76	18	4-18	160	328	-	-	16
50	230	160	125	100	88	20	4-18	320	450	-	-	32
65	290	180	145	120	110	22	8-18	360	530	-	-	45
80	310	195	160	135	121	22	8-18	400	560	-	-	60
100	350	230	190	160	150	24	8-23	450	618	-	-	80
125	400	270	220	188	176	28	8-25	450	675	-	-	105
150	480	300	250	218	204	30	8-25	560	743	-	-	134
200	600	375	320	282	260	38	12-30	640	850	-	-	266
250	650	445	385	345	313	42	12-34	720	975	380	340	491
300	750	510	450	408	364	46	16-34	800	1115	415	340	705
400	950	655	585	535	474	58	16-41	900	1425	465	340	1234

CRYOGENIC GLOBE VALVE

DJ41F-16/40P

Product specification

Nominal pressure: 1.6 MPa

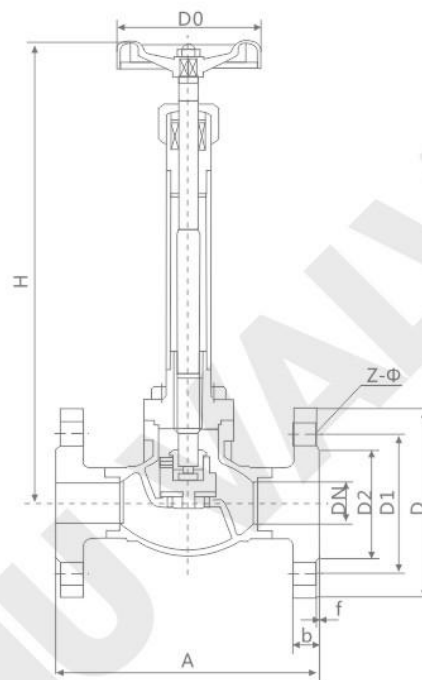
Nominal size: 10 mm to 200 mm

Applicable medium: L02, LN2, LAr, LNG, LC2H4, etc

Applicable temperature: 196 ~ + 80 °C

Connection mode: flange

Under the medium flow direction: the disc for high



Main external and connection dimension

Product code	Nominal diameter DN(mm)	Main connecting dimensions										WT (kg)
		A	H1	H2	D	D1	D2	Z-φd	b	f	Do	
222J10AB2A3	10	130	253	247	90	60	40	4-14	16	2	75	3.2
222J15AB2A3	15	130	268	260	95	65	45	4-14	16	2	75	3.8
222J20AB2A3	20	150	307	297	105	75	55	4-14	16	2	100	5.5
222J25AB2A3	25	160	323	310	115	85	65	4-14	16	2	100	5.9
222J32AB2A3	32	180	362	346	135	100	78	4-18	18	2	120	7.1
222J40AB2A3	40	200	380	360	145	110	85	4-18	18	2	120	11.2
222J50AB2A3	50	230	445	420	160	125	100	4-18	20	3	160	17.5
222J65AB2A3	65	290	473	440	180	145	120	8-18	20	3	200	18.4
222J80AB2A3	80	310	510	470	195	160	135	8-18	22	3	240	30.1
222J100AB2A3	100	350	589	539	215	180	155	8-18	22	3	280	40.2
222J125AB2A3	125	400	665	602	245	210	185	8-18	24	3	300	53.9
222J150AB2A3	150	480	713	638	280	240	210	8-23	26	3	350	68.3
222J200AB2A3	200	600	805	705	375	295	265	12-23	30	3	400	134.2
222J250AB2A3	250	650	985	860	405	355	320	12-25	32	3	550	248.7
222J300AB2A3	300	750	1080	930	460	410	370	12-25	34	4	650	334.5